

3", 80mm Flanged Pressure Relief Vent

Features

- Pressure/Vacuum or Pressure Only styles available
- Hardened coil springs for extra durability
- PTFE seals and O-Rings are interchangeable with other major brands
- Slotted holes to fit flange sizes:
 - DN65 PN10
 - DN80 PN6
 - 3" ANSI 150#
- Electropolished for easy cleaning
- ¼" tapped gauge port
- Optional Teflon® spray coating available upon request
- Test certificates are supplied with each vent



PART

DESCRIPTION

IMF XX
80mm flanged connection, Tef-O-Sil O-Rings (PTFE), rugged cast 316 stainless steel construction, electropolished to a bright finish, tested and certified with documentation and a unique serial number

IMF(XX)-WV
Same as above, except this model provides vacuum protection as well as pressure relief

For pressure settings: Substitute (xx) with pressure rating in bar.

For example, GE-IMF44 is a relief vent set to discharge at 4.4 bar (63.8 psi)

PERFORMANCE SPECIFICATIONS

Pressure Range 0.6 to 8 bar (9 to 116 psi)

Vacuum Range 1 to 12" Hg

Standard Vacuum Setting -0.2 bar (6" Hg)

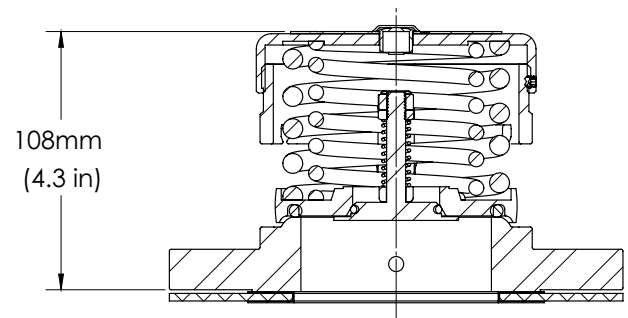
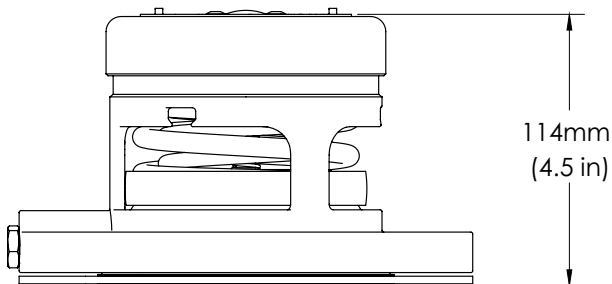
MATERIALS OF CONSTRUCTION

All contact parts are made from 316 stainless steel

Standard O-Rings are PTFE-encapsulated silicone

PRODUCT DIMENSIONS

Weight 5.89 kg (13 lbs)



Pressure/Vacuum Combination Relief Vent Shown